

WIDE FLAT 24V-DC - 14W - 28W - 56W - IP69 - IK09

IP69

14W - 1700Lm

28W - 3400Lm

56W - 6800Lm

5.600 - 6.000°K - 40.000h

RoHS RAEE CONFORMITY



cavo senza spina
cable without plug

CARATTERISTICHE

Fino all'85% di risparmio energetico
Basso calore
Zero manutenzione
Struttura in alluminio
Dotata di vetro ad alta resistenza e griglia di lenti anti-irritazione per gli occhi
Resistente ai lubro-refrigeranti
Direttive 2006/95/CE, 2004/108/CE e 2006/42/CE come previsto dalla Normativa UNI EN 1837

FEATURES

*Up to 85% energy saving
Low performing heat
Zero maintenance
Aluminium structure
Equipped with high resistance glass and anti-irritation lens grid
Resistant to coolants and lubricants
Complies with Directives 2006/95/EC, 2004/108/EC and 2006/42/EC as required by Normative UNI EN 1837*

OPZIONALE 100/240V

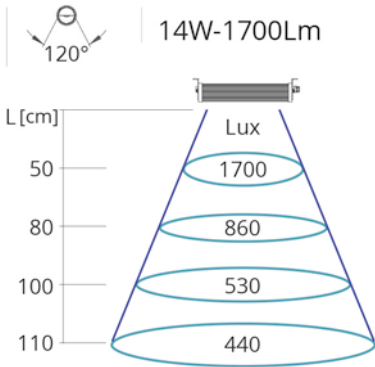
alimentatore esterno a richiesta
input 100/240V AC output 24V DC

OPTIONAL 100/240V

external driver input 100/240V AC
output 24V DC on request

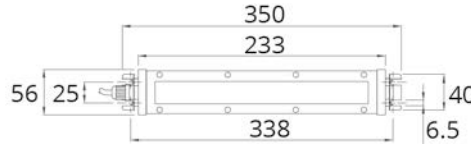
WIDE FLAT 24V-DC - 14W - 28W - 56W - IP69 - IK09

14W - 1700Lm	ART.	CODE	VIN	WxLed	cable.mt	Kg
--------------	------	------	-----	-------	----------	----



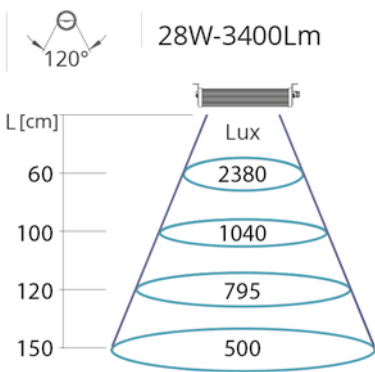
WIDE F-14W-24V-DC	09.02.2.12.14.3	24V-DC	14Wx1	1,80	1,00
-------------------	-----------------	--------	-------	------	------

SCATOLA MADRE
MASTER BOX



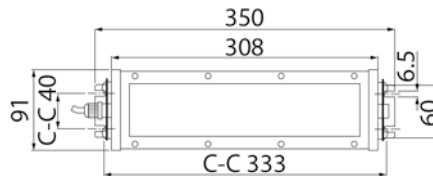
Qty: 10 pcs
Dimensions: 42x35x28 cm
Weight: 10 Kg

28W - 3400Lm	ART.	CODE	VIN	WxLed	cable.mt	Kg
--------------	------	------	-----	-------	----------	----



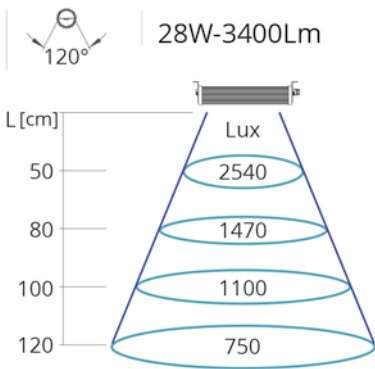
WIDE F-28W-24V-DC	09.08.2.12.28.3	24V-DC	14Wx2	1,80	1,50
-------------------	-----------------	--------	-------	------	------

SCATOLA MADRE
MASTER BOX



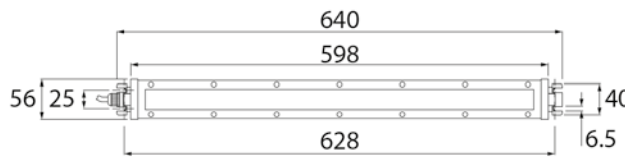
Qty: 6 pcs
Dimensions: 75x30x38 cm
Weight: 15 Kg

28W - 3400Lm	ART.	CODE	VIN	WxLed	cable.mt	Kg
--------------	------	------	-----	-------	----------	----



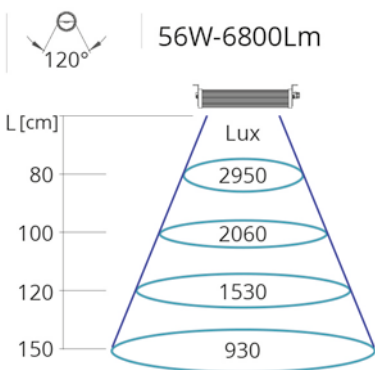
WIDE F-28W-24V-DC	09.04.2.12.28.3	24V-DC	28Wx1	1,80	1,70
-------------------	-----------------	--------	-------	------	------

SCATOLA MADRE
MASTER BOX



Qty: 6 pcs
Dimensions: 75x30x38 cm
Weight: 15 Kg

56W - 6800Lm	ART.	CODE	VIN	WxLed	cable.mt	Kg
--------------	------	------	-----	-------	----------	----



WIDE F-56W-24V-DC	09.06.2.12.56.3	24V-DC	28Wx2	1,80	2,75
-------------------	-----------------	--------	-------	------	------

SCATOLA MADRE
MASTER BOX



Qty: 4 pcs
Dimensions: 75x31x27 cm
Weight: 12Kg