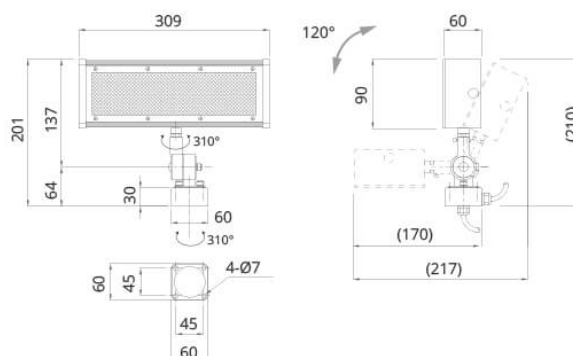


# WIDE T 28W 24V-AC/DC IP67



Joints equipped with wing nut for comfort clamping



Cable without Plug

## APPLICATIONS

Lamps LED SPOT - Nik Light - Led Security - are equipped with powerful LED and are specially designed for lighting small working places or for controlling working cycles running on CAD-CAM machines. Protection class IP65 - IP67, 3W-12W - 20W - 28W luminous efficiency, 24V-AC/DC and 100÷240V-AC power supply available.

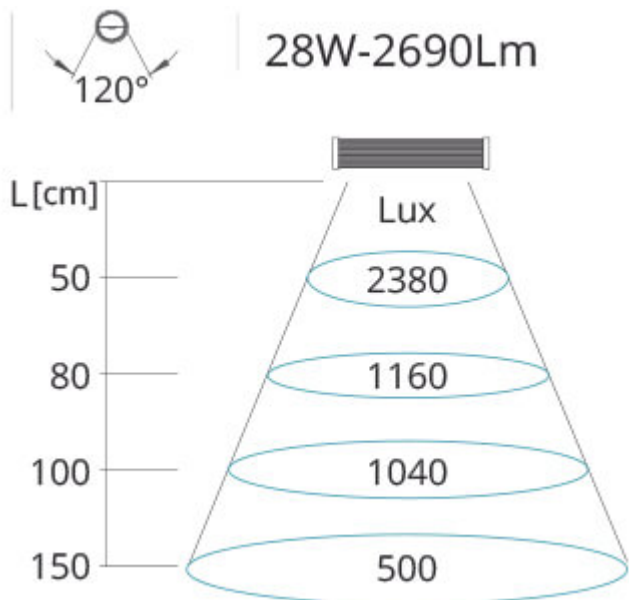
The special system for arm and head adjusting, makes these products adaptable to any lighting requirement: workbenches, walls of small working cabins, inside CNC or traditional machine tools.

## STANDARD:

Wire outlet from side

---

## STANDARD 120° LED MODULE



## WXLED

14Wx2

## CABLE.MT

1,80

## KG

1,50

---