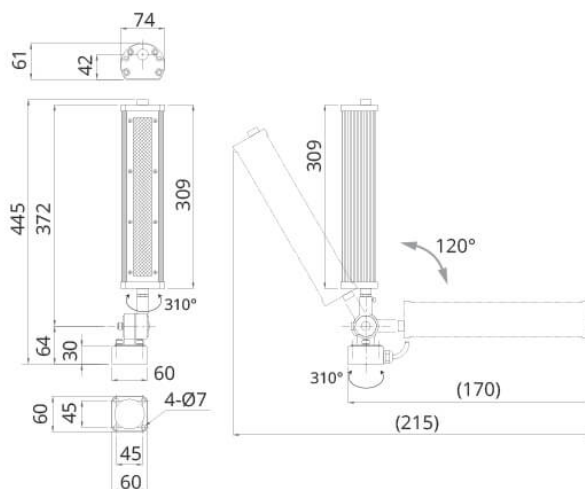


WIDE SPOT 24V-AC/DC



Joints equipped with wing nut for comfort clamping



Cable without Plug

APPLICATIONS

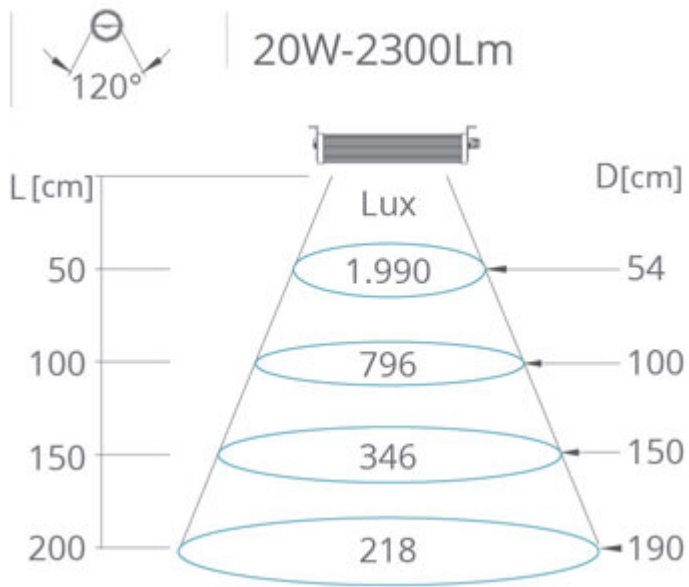
Lamps LED SPOT - Nik Light - Led Security - are equipped with powerful LED and are specially designed for lighting small working places or for controlling working cycles running on CAD-CAM machines. Protection class IP65 - IP67, 3W-12W - 20W - 28W luminous efficiency, 24V-AC/DC and 100÷240V-AC power supply available.

The special system for arm and head adjusting, makes these products adaptable to any lighting requirement: workbenches, walls of small working cabins, inside CNC or traditional machine tools.

STANDARD:

Wire outlet from side

STANDARD 120° LED MODULE



WXLED

20W

CABLE.MT

1,80

KG

1,40
