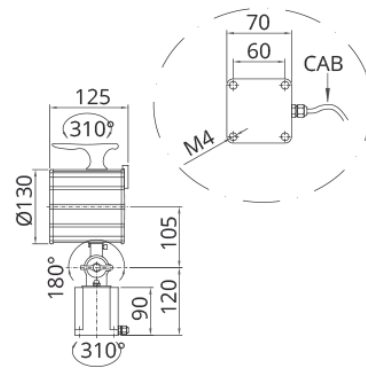


CLIK COB 100÷240V AC SPOT - LED LAMPS WITH ADJUSTABLE ARMS | NIK LED SECURITY

# CLIK COB 100÷240V-AC SPOT

---



Joints equipped with wing nut for comfort clamping



Ergonomic on/off switch



Cable with Schuko Plug

---

# APPLICATIONS

Lamps LED SPOT - Nik Light - Led Security - are equipped with powerful LED and are specially designed for lighting small working places or for controlling working cycles running on CAD-CAM machines. Protection class IP65 - IP67, 3W-12W - 20W - 28W luminous efficiency, 24V-AC/DC and 100÷240V-AC power supply available.

The special system for arm and head adjusting, makes these products adaptable to any lighting requirement: workbenches, walls of small working cabins, inside CNC or traditional machine tools.

## VOLTAGE:

100÷240V-AC with LED driver built-in the base and cable with Schuko plug

## STANDARD:

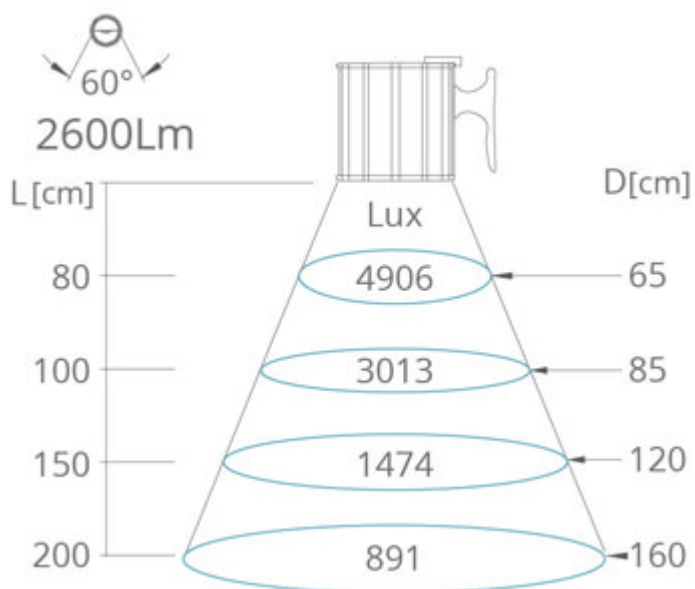
60° LED Module

## OPTIONAL ACCESSORIES:

morsetti, staffa di fissaggio

---

## STANDARD 60° LED MODULE



---

## WXLED

20WX1

## CABLE.MT

1,80

KG

2,30

---