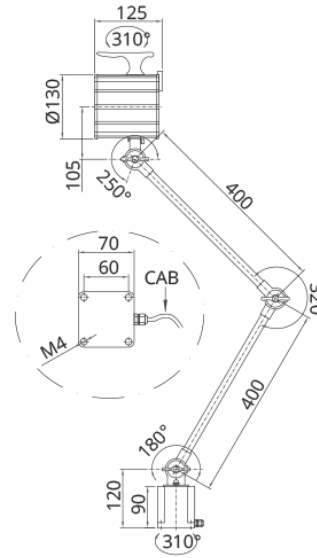


CLIK COB 100÷240V AC LARGE - LED LAMPS WITH ADJUSTABLE ARMS | NIK LED SECURITY

CLIK COB 100÷240V-AC LARGE



Joints equipped with wing nut for comfort clamping



Ergonomic on/off switch



Cable with Schuko Plug

APPLICATIONS

The lamp series LED - Clik Cob - with articulated arm is equipped with a single powerful 20W LED, protection class IP65 and power supply 100÷240V-AC. They can be used in industrial production sites, workshops, laboratories, assembling and control stations

Thanks to the solidity of the aluminium frame and the high resistance of the lenses, these LED lamps are particular suitable for the installation on difficult working centres or on special machine tools.

The special system for arms adjusting and head / base rotation, makes these products adaptable to any lighting requirement, even in case of heavy mechanical stress, as for example, when mounted on CNC lathes, milling or boring machines.

VOLTAGE:

100÷240V-AC with LED driver built-in the base and cable with Schuko plug

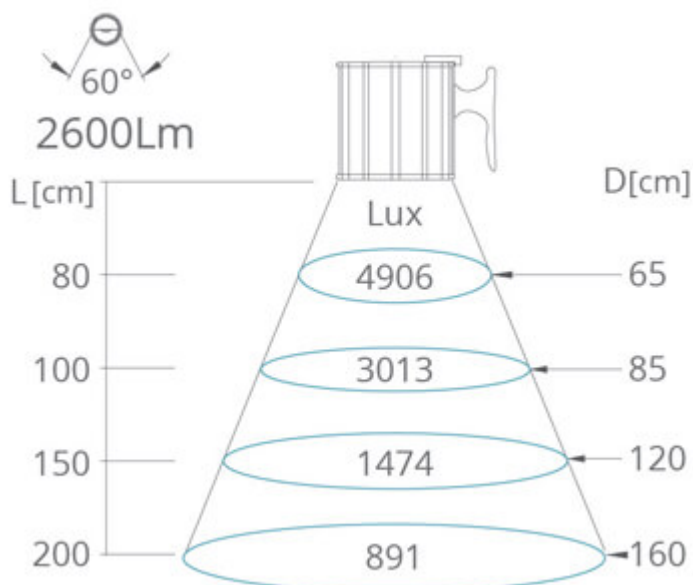
STANDARD:

60° LED Module

OPTIONAL ACCESSORIES:

morsetti, staffa di fissaggio

STANDARD 60° LED MODULE



WXLED

20WX1

CABLE.MT

1,80

KG

2,80
