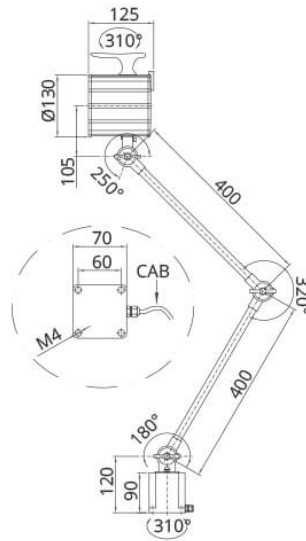


# CLIK 24V-AC/DC LARGE



Joints equipped with wing nut for comfort clamping



Ergonomic on/off switch



Cable without Plug

# APPLICATIONS

LED lamps with articulated arm series Nik Light - Led Security - are equipped with a powerful 12W LED and are available with power supply 24V-AC/DC and 100÷240V-AC and IP65 protection class.

Thanks to the high resistance of the aluminium frame and of the lenses, LED lamps - Clik series - have a powerful and uniform lighting capacity without flickering, even in working environments rich in dust, chips and cooling lubricants.

The special system for arms adjusting and head / base rotation, makes these products adaptable to any lighting requirement, even in case of heavy mechanical stress, when installed on workbenches or machine tools. They can be used in industrial production sites, workshops, laboratories, assembling and control stations.

## VOLTAGE:

24V-AC/DC with LED driver built-in the base and 2-pole cable

## STANDARD:

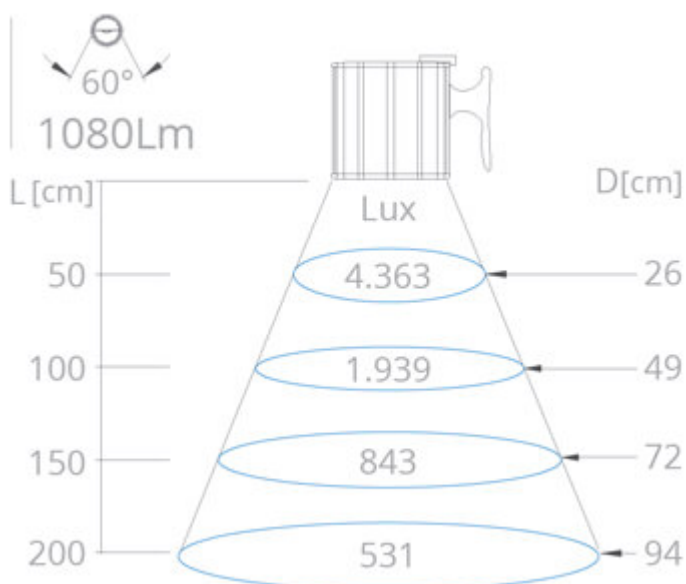
60° LED Module

## OPTIONAL ACCESSORIES:

Neutral glass, clamps and angle plate

---

## STANDARD 60° LED MODULE



---

## WXLED

2Wx6

**CABLE.MT**

CV02-1,80

**KG**

2,40

---